

THE FURNACE EXCHANGE



Unit IA, Newhaven Enterprise Centre, Denton Island, Newhaven, East Sussex, BN9 9BA

THE COLT SC1000 FURNACE

A range of recycling furnaces to produce high value ingots from scrap. Supplied complete, fully refractory lined with high temperature side flue afterburner and chimney. Full back up service for commissioning and training is available.



| MODEL | Chamber Internal Size | | | OUTPUT INGOTS PER DAY | |
|--------|-----------------------|------|-----|-----------------------|------------|
| | L | W | H | AVERAGE | SEMI CLEAN |
| SC1000 | 1524 | 1066 | 762 | 1000 Kgs | 1500Kgs |



Where applicable, monitoring instrumentation is available.



DO NOT SCALE - IF IN DOUBT ASK

THIRD ANGLE PROJECTION

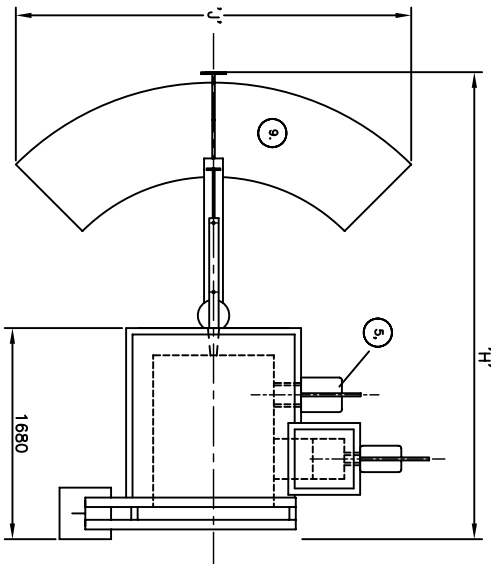
ISS

MODIFICATION

DATE

| COLT SC | 750 | 1000 |
|---------|------|------|
| A | 610 | 762 |
| B | 915 | 1067 |
| C | 1220 | 1524 |
| D | 2950 | 3105 |
| E | 4400 | 4750 |
| F | 3990 | 4150 |
| G | 8000 | 8000 |
| H | 3650 | 4000 |
| J | 3650 | 4000 |

PLAN VIEW

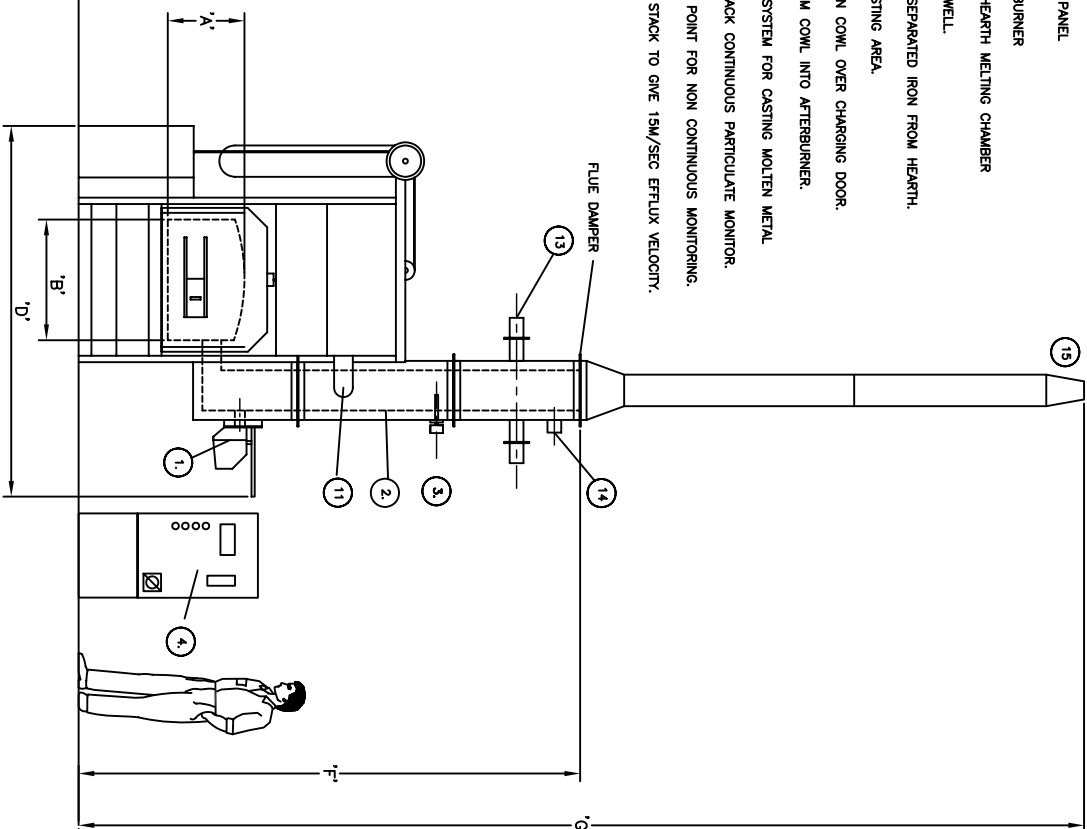
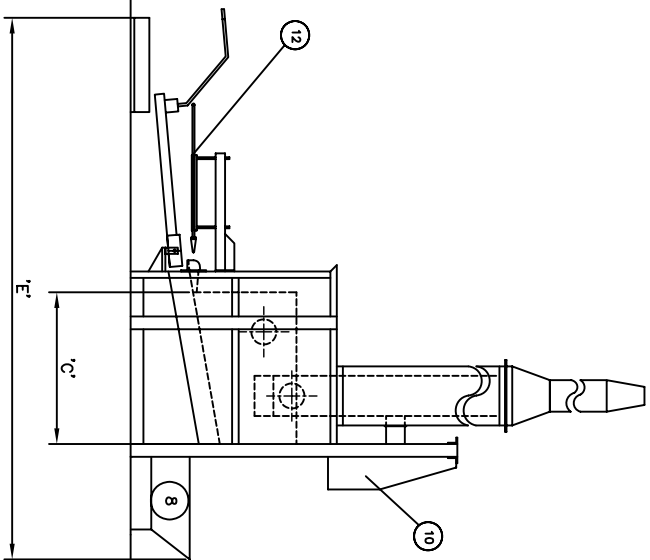
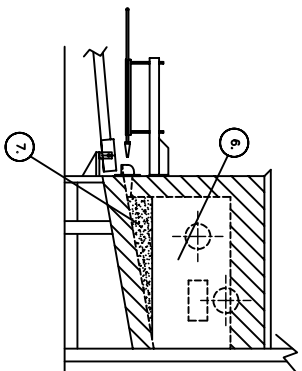


- KEY:
- 1 AFTERBURNER BURNER
 - 2 AFTERBURNER CHAMBER 2 SECS RETENTION.
 - 3 THERMOCOUPLE
 - 4 CONTROL PANEL
 - 5 MELTING BURNER
 - 6 SLOPING HEARTH MELTING CHAMBER
 - 7 HOLDING WELL
 - 8 BIN FOR SEPARATED IRON FROM HEARTH.
 - 9 INGOT CASTING AREA.
 - 10 EXTRACTION COWL OVER CHARGING DOOR.
 - 11 DUCT FROM COWL INTO AFTERBURNER.
 - 12 TAP OUT SYSTEM FOR CASTING MOLTEN METAL
 - 13 CROSS STACK CONTINUOUS PARTICULATE MONITOR.
 - 14 SAMPLING POINT FOR NON CONTINUOUS MONITORING.
 - 15 CONE ON STACK TO GIVE 15M/SEC EFFLUX VELOCITY.

NOTE:

STANDARD STACK HEIGHT SHOWN MINIMUM 8M FROM GROUND.
FINAL STACK HEIGHT CALCULATED TO SUIT ACTUAL BUILDING AND SITE CONDITIONS.

SECTION THROUGH MELTING HEARTH
SHOWING HOLDING WELL



ALL DIMENSIONS PROVISIONAL ONLY

THIS DRG USED ON
THE FOLLOWING
ASSEMBLIES

DRN DATE
18.12.2008

CHNO SCALE

SURFACE FINISH

TOL CLASS

PROTECTIVE FINISH

MATERIAL

No OFF

DRG No

3002944

REMOVE ALL SHARP EDGES UNLESS OTHERWISE STATED

FILE NAME

ACAD

THE FURNACE EXCHANGE
ROY HALL COMBUSTION LTD.
56 WELLINGTON ROAD, DENTON
NEWMARVEN, EAST SUSSEX BN9 0RH
TEL/FAX: 01273 517119

TITLE
SC750+1000 2 SEC VERTICAL AFTERBURNER